

BXUV.W310 - Fire-resistance Ratings - ANSI/UL 263



Design/System/Construction/Assembly Usage Disclaimer

- Authorities Having Jurisdiction should be consulted in all cases as to the particular requirements covering the installation and use of UL Certified products, equipment, system, devices, and materials.
- Authorities Having Jurisdiction should be consulted before construction.
- Fire resistance assemblies and products are developed by the design submitter and have been investigated by UL for compliance with applicable requirements. The published information cannot always address every construction nuance encountered in the field.
- When field issues arise, it is recommended the first contact for assistance be the technical service staff provided by the product manufacturer noted for the design. Users of fire resistance assemblies are advised to consult the general Guide Information for each product category and each group of assemblies. The Guide Information includes specifics concerning alternate materials and alternate methods of construction.
- Only products which bear UL's Mark are considered Certified.

BXUV - Fire Resistance Ratings - ANSI/UL 263 Certified for United States

BXUV7 - Fire Resistance Ratings - CAN/ULC-S101 Certified for Canada

[See General Information for Fire-resistance Ratings - ANSI/UL 263 Certified for United States Design Criteria and Allowable Variances](#)

[See General Information for Fire Resistance Ratings - CAN/ULC-S101 Certified for Canada Design Criteria and Allowable Variances](#)

Design No. W310

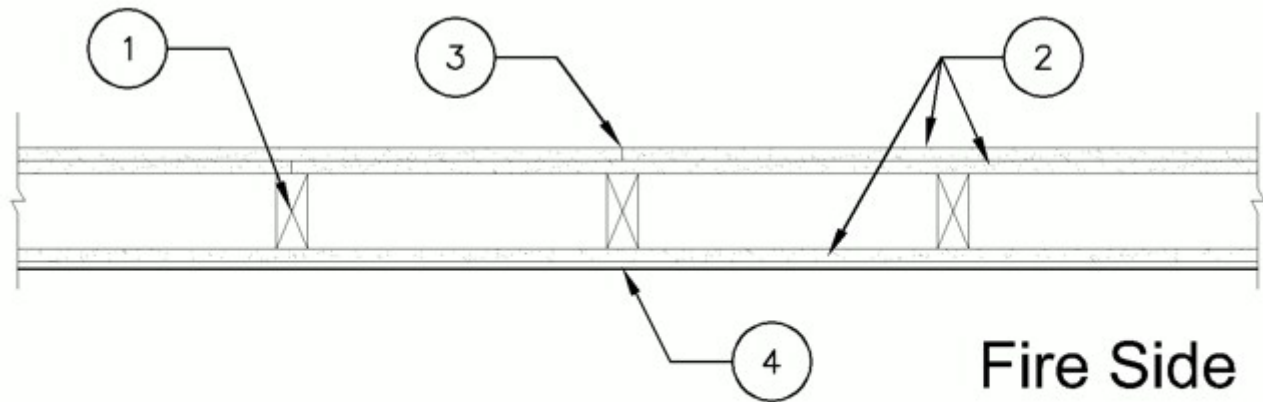
January 08, 2021

Non-Load Bearing Wall Rating - 2 Hr.

Finish Rating - 47 min.

Fire and Finish Rating from Exposed Face Only

*** Indicates such products shall bear the UL or cUL Certification Mark for jurisdictions employing the UL or cUL Certification (such as Canada), respectively.**



1. **Wood Studs** — Nom 2 by 4 in. spaced 16 in. OC max, with blocking installed at mid-height.

2. **Gypsum Board* — Non-Fire Side** — Two layers of paper faced, 5/8 in. thick gypsum board applied vertically. First layer fastened to studs with 1-1/4 in. Type W drywall screws spaced 8 in. OC along the perimeter and in the field. Second layer fastened to studs with 2 in. Type W drywall screws spaced 8 in. OC along the perimeter and in the field. Joints in face layer staggered with joints in base layer. Fasteners in face layer offset 4 in. from fasteners in base layer.

Fire Side — One layer of paper faced, 5/8 in. thick gypsum board installed vertically and fastened to studs using 1-1/4 in. long Type W screws spaced 8 in. OC along perimeter and in the field. Joints offset with joints of base layer on opposite side.

AMERICAN GYPSUM CO — Types AGX-1, AG-C, AGX-11, LightRoc

BEIJING NEW BUILDING MATERIALS PUBLIC LTD CO — Type DBX-1

CABOT MANUFACTURING ULC — Type X, 5/8 Type X, Moisture Resistant Type X, Gypsum Sheathing Type X, Mold & Mildew Resistant Type X and Mold & Mildew Resistant AR Type X

CERTAINTEED GYPSUM INC — Type C, Type X, Type X-1

CGC INC — Types AR, C, IP-AR, IP-X1, IP-X2, IPC-AR, SCX, SHX, ULIX, ULX, USGX, WRC, WRX

CERTAINTEED GYPSUM INC — Types LGFC2A, LGFC6A, LGFC-C/A, LGLLX, CLLX

GEORGIA-PACIFIC GYPSUM L L C — Types 5, 6, GPFS6, LS, TG-C

NATIONAL GYPSUM CO — Types eXP-C, FSK, FSK-C, FSK-G, FSW, FSW-3, FSW-5, FSW-8, FSW-C, FSW-G, FSMR-C, FSL, RSX

PABCO BUILDING PRODUCTS L L C, DBA PABCO GYPSUM — Types C, PG-2, PG-3, PG-3W, PG-4, PG-5, PG-5W, PG-5WS, PG-9, PG-11, PG-C or PGS-WRS

PANEL REY S A — Types PRC, PRC2, PRX, RHX, MDX, ETX, GREX, GRIX

SIAM GYPSUM INDUSTRY (SARABURI) CO LTD — Type EX-1

THAI GYPSUM PRODUCTS PCL — Type C or Type X

UNITED STATES GYPSUM CO — Types AR, C, IP-AR, IP-X1, IP-X2, IPC-AR, SCX, SHX, ULIX, ULX, WRC, WRX

USG BORAL DRYWALL SFZ LLC — Types C, SCX

USG MEXICO S A DE C V — Types AR, C, IP-AR, IP-X1, IP-X2, IPC-AR, SCX, SHX, ULX, WRC, WRX

3. Gypsum Finishing System — (Permitted on Non-Fire Side Only) — Vinyl, dry or premixed joint compound, applied in two coats to joints and screw-heads. Nom 2 in. wide paper tape embedded in first layer of compound over all joints.

4. Mastic and Intumescent Coating* — (Required on Fire Side) — Intumescent coating spray applied to the surface of the exposed face of the wall at an average measured thickness of 43 mils. The effect on the fire-resistance rating of the wall caused by any covering that would interfere with the expansion of the mastic and intumescent coating during a fire has not been investigated. Average thicknesses to be determined with the Type Positector 200C Defelsko gauge in areas away from framing members at a minimum frequency of 20 measurements within a 100 sq. ft. area per every 1,000 sq. ft. of total application area.

FLAMEOFF COATINGS INC — Type FlameOFF Fire Barrier. Investigated for Interior Conditioned Space.

*** Indicates such products shall bear the UL or cUL Certification Mark for jurisdictions employing the UL or cUL Certification (such as Canada), respectively.**

La presencia del nombre de una empresa o producto en esta base de datos no garantiza por sí misma que los productos así identificados hayan sido fabricados bajo el servicio de seguimiento de UL. Solo aquellos productos que lleven la marca UL deben considerarse como certificados y garantizados bajo el servicio de seguimiento de UL. Busque siempre la marca en el producto.

UL permite la reproducción del material contenido en el directorio de certificación en línea sujeta a las siguientes condiciones: 1. La información de la guía, las ensamblajes, las construcciones, los diseños, los sistemas y/o certificaciones (archivos) deben presentarse en su totalidad y de forma no engañosa, sin ninguna manipulación en los datos (o dibujos). 2. Debe aparecer la declaración "Reimpreso desde el directorio de certificaciones en línea con permiso de UL" junto al material extraído. Además, el material reimpreso debe incluir una nota de derechos de autor en el siguiente formato: "© 2021 UL LLC"