



BXUV.U465



## Design/System/Construction/Assembly Usage Disclaimer

- Authorities Having Jurisdiction should be consulted in all cases as to the particular requirements covering the installation and use of UL Certified products, equipment, system, devices, and materials.
- Authorities Having Jurisdiction should be consulted before construction.
- Fire resistance assemblies and products are developed by the design submitter and have been investigated by UL for compliance with applicable requirements. The published information cannot always address every construction nuance encountered in the field.
- When field issues arise, it is recommended the first contact for assistance be the technical service staff provided by the product manufacturer noted for the design. Users of fire resistance assemblies are advised to consult the general Guide Information for each product category and each group of assemblies. The Guide Information includes specifics concerning alternate materials and alternate methods of construction.
- Only products which bear UL's Mark are considered Certified.

## BXUV - Fire Resistance Ratings - ANSI/UL 263 Certified for United States

## BXUV7 - Fire Resistance Ratings - CAN/ULC-S101 Certified for Canada

[See General Information for Fire-resistance Ratings - ANSI/UL 263 Certified for United States Design Criteria and Allowable Variances](#)

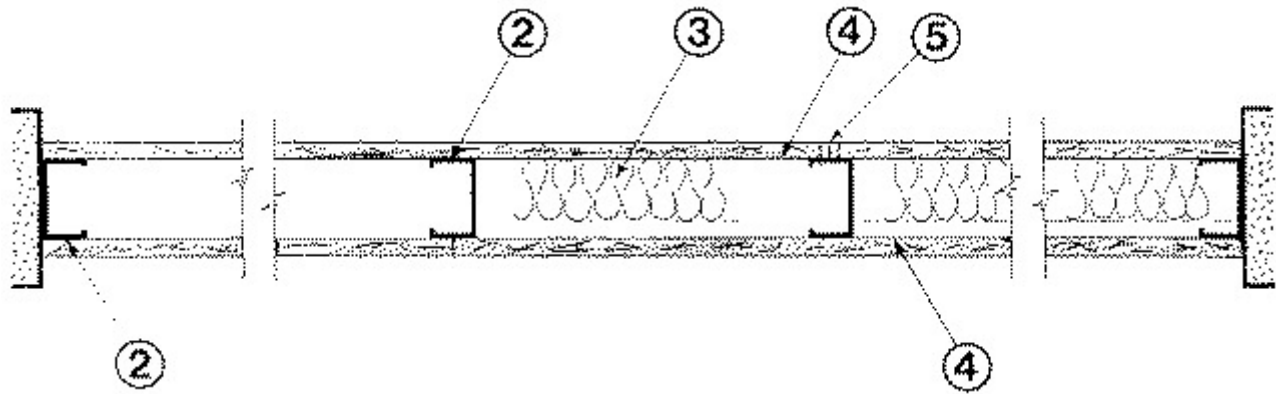
[See General Information for Fire Resistance Ratings - CAN/ULC-S101 Certified for Canada Design Criteria and Allowable Variances](#)

### Design No. U465

June 10, 2021

**Nonbearing Wall Rating — 1 HR.**

**\* Indicates such products shall bear the UL or cUL Certification Mark for jurisdictions employing the UL or cUL Certification (such as Canada), respectively.**



**1. Floor and Ceiling Runners** – (Not Shown) – Channel shaped runners, 3-5/8 in. deep (min), 1-1/4 in. legs, formed from min No. 25 MSG galv steel, attached to floor and ceiling with fasteners spaced 24 in. OC max.

**1A. Framing Members\* – Floor and Ceiling Runners** – (Not Shown) – As an alternate to Item 1 – Channel shaped, min 3-5/8 in. deep, attached to floor and ceiling with fasteners 24 in. OC. max.

**ALLSTEEL & GYPSUM PRODUCTS INC** – Type SUPREME D24/30EQD and Type SUPREME D20

**CONSOLIDATED FABRICATORS CORP, BUILDING PRODUCTS DIV** – Type SUPREME D24/30EQD and Type SUPREME D20

**QUAIL RUN BUILDING MATERIALS INC** – Type SUPREME D24/30EQD and Type SUPREME D20

**SCAFCO STEEL STUD MANUFACTURING CO** – Type SUPREME D24/30EQD and Type SUPREME D20

**STEEL CONSTRUCTION SYSTEMS INC** – Type SUPREME D24/30EQD and Type SUPREME D20

**TELLING INDUSTRIES L L C** – Type SUPREME D24/30EQD and Type SUPREME D20

**UNITED METAL PRODUCTS INC** – Type SUPREME D24/30EQD and Type SUPREME D20

**1B. Framing Members\* – Floor and Ceiling Runners** – Not Shown – In lieu of Item 1 – For use with Item 2B, proprietary channel shaped runners, 1-1/4 in. wide by min 3-5/8 in. deep fabricated from min 0.020 in. thick galv steel, attached to floor and ceiling with fasteners spaced 24 in. OC max.

**CALIFORNIA EXPANDED METAL PRODUCTS CO** – Viper20™ Track

**MARINO/WARE, DIV OF WARE INDUSTRIES INC** – Viper20™ Track

**FUSION BUILDING PRODUCTS** – Viper20™ Track

**IMPERIAL MANUFACTURING GROUP INC** – Viper20™ Track

**1C. Floor and Ceiling Runners** – (Not Shown) – For use with Item 2C – Channel shaped, fabricated from min 20 MSG corrosion-protected or galv steel, min depth to accommodate stud size, with min 1 in. long legs, attached to floor and ceiling with fasteners spaced max 24 in. OC.

**1D. Framing Members\* – Floor and Ceiling Runners** – Not Shown – In lieu of Items 1 through 1C – For use with Item 2D and 4G only, proprietary channel shaped runners, 1-1/4 in. deep by min 3-5/8 in. wide fabricated from min 0.018 in. thick galv steel, attached to floor and ceiling with fasteners spaced 24 in. OC max.

**CLARKDIETRICH BUILDING SYSTEMS** – CD ProTRAK

**DMFCWBS L L C** — ProTRAK

**MBA METAL FRAMING** — ProTRAK

**RAM SALES L L C** — Ram ProTRAK

**STEEL STRUCTURAL PRODUCTS L L C** — Tri-S ProTRAK

**1E. Framing Members\* — Floor and Ceiling Runners** — Not Shown — In lieu of Items 1 through 1D — For use with Item 2E and 4I only, proprietary channel shaped runners, 1-1/4 in. deep by min 3-5/8 in. wide fabricated from min 0.018 in. thick galv steel, attached to floor and ceiling with fasteners spaced 24 in. OC max.

**TELLING INDUSTRIES L L C** — TRUE-TRACK™

**1F. Framing Members\* — Floor and Ceiling Runners** — Not Shown — In lieu of Items 1 through 1E — For use with Item 2, channel shaped runners, 1-1/4 in. deep by min 3-5/8 in. wide fabricated from min 25 MSG steel, attached to floor and ceiling with fasteners spaced 24 in. OC max.

**KIRII (HONG KONG) LTD** — Type KIRII

**1G. Framing Members\* — Floor and Ceiling Runners** — Not Shown — In lieu of Items 1 through 1F — For use with Item 2, channel shaped runners, 1-1/4 in. deep by min 3-5/8 in. wide, attached to floor and ceiling with fasteners spaced 24 in. OC max.

**STUDCO BUILDING SYSTEMS** — CROCSTUD Track

**1H. Floor and Ceiling Runners** — (Not Shown) — Channel shaped, fabricated from min 0.02 in. galv steel, min width to accommodate stud size, with min 1 in. long legs, for use with studs specified below and fabricated from min 0.02 in. galv steel or thicker, attached to floor and ceiling with fasteners spaced max 24 in. OC.

**MARINO/WARE, DIV OF WARE INDUSTRIES INC** — Viper20™ Track VT100

**FUSION BUILDING PRODUCTS** — Viper20™ Track VT100

**IMPERIAL MANUFACTURING GROUP INC** — Viper20™ Track VT100

**1I. Framing Members\* — Floor and Ceiling Runners** — Not Shown — In lieu of Item 1 — For use with Item 2H, proprietary channel shaped runners, 1-1/4 in. wide by min 3-5/8 in. deep fabricated from min 0.020 in. thick galv steel, attached to floor and ceiling with fasteners spaced 24 in. OC max.

**MARINO/WARE, DIV OF WARE INDUSTRIES INC** — Viper20™ Track

**1J. Framing Members\* — Floor and Ceiling Runners** — Not Shown — In lieu of Items 1 — For use with Item 2 L, proprietary channel shaped runners, 1-1/4 in. deep by min 3-5/8 in. wide fabricated from min 0.018 in. thick galv steel, attached to floor and ceiling with fasteners spaced 24 in. OC max.

**RESCUE METAL FRAMING, L L C** — AlphaTRAK

**1K. Framing Members\* — Floor and Ceiling Runners** — Not Shown — In lieu of Item 1 — For use with Item 2M, proprietary channel shaped runners, 1-1/4 in. wide by min 3-5/8 in. deep, fabricated from min 25 MSG (0.018 in. min. bare metal thickness), attached to floor and ceiling with fasteners spaced 24 in. OC max.

**CALIFORNIA EXPANDED METAL PRODUCTS CO** — Viper X Track

**1L. Framing Members\* — Floor and Ceiling Runners** — Not Shown — In lieu of Item 1 — For use with Item 2N, proprietary channel shaped runners, 1-1/4 in. wide by min 3-5/8 in. deep fabricated from min 0.020 in. thick galv steel, attached to floor and ceiling with fasteners spaced 24 in. OC max.

**CRACO MFG INC** — SmartTrack20™

**2. Steel Studs** — Channel shaped, 3-5/8 in. deep (min), formed from min No. 25 MSG galv steel spaced 24 in. OC max. Studs to be cut 3/4 in. less than assembly height.

**2A. Framing Members\* – Steel Studs** — As an alternate to Item 2 — Channel shaped studs, min 3-5/8 in. deep, spaced a max of 24 in. OC. Studs to be cut 3/4 in. less than assembly height.

**ALLSTEEL & GYPSUM PRODUCTS INC** — Type SUPREME D24/30EQD and Type SUPREME D20

**CONSOLIDATED FABRICATORS CORP, BUILDING PRODUCTS DIV** — Type SUPREME D24/30EQD and Type SUPREME D20

**QUAIL RUN BUILDING MATERIALS INC** — Type SUPREME D24/30EQD and Type SUPREME D20

**SCAFCO STEEL STUD MANUFACTURING CO** — Type SUPREME D24/30EQD and Type SUPREME D20

**STEEL CONSTRUCTION SYSTEMS INC** — Type SUPREME D24/30EQD and Type SUPREME D20

**TELLING INDUSTRIES L L C** — Type SUPREME D24/30EQD and Type SUPREME D20

**UNITED METAL PRODUCTS INC** — Type SUPREME D24/30EQD and Type SUPREME D20

**2B. Framing Members\* – Steel Studs** — Not Shown — In lieu of Item 2 — For use with Item 1B, proprietary channel shaped steel studs, 1-1/4 in. wide by min 3-5/8 in. deep fabricated from min 0.020 in. thick galv steel. Studs cut 3/4 in. less in length than assembly height.

**CALIFORNIA EXPANDED METAL PRODUCTS CO** — Viper20™

**CRACO MFG INC** — SmartStud20™

**MARINO/WARE, DIV OF WARE INDUSTRIES INC** — Viper20™

**FUSION BUILDING PRODUCTS** — Viper20™

**IMPERIAL MANUFACTURING GROUP INC** — Viper20™

**2C. Steel Studs** — (As an alternate to Item 2, For use with Item 1C) — Channel shaped, fabricated from min 20 MSG corrosion-protected or galv steel, 3-1/2 in. min depth, spaced a max of 16 in. OC. Studs friction-fit into floor and ceiling runners. Studs to be cut 5/8 to 3/4 in. less than assembly height. See materials in Item(s) 4 that require Item 2C studs.

**2D. Framing Members\* – Steel Studs** — As an alternate to Items 2 through 2C — For use with Item 1D and 4G only, channel shaped studs, min 3-5/8 in. wide fabricated from min 0.018 in. thick galv steel, spaced a max of 24 in. OC. Studs to be cut 1/2 in. less than assembly height.

**CLARKDIETRICH BUILDING SYSTEMS** — CD ProSTUD

**DMFCWBS L L C** — ProSTUD

**MBA METAL FRAMING** — ProSTUD

**RAM SALES L L C** — Ram ProSTUD

**STEEL STRUCTURAL PRODUCTS L L C** — Tri-S ProSTUD

**2E. Framing Members\* – Steel Studs** — As an alternate to Items 2 through 2D — For use with Item 1E and 4I only, channel shaped studs, min 3-5/8 in. wide fabricated from min 0.018 in. thick galv steel, spaced a max of 24 in. OC. Studs to be cut 1/2 in. less than assembly height.

**TELLING INDUSTRIES L L C – TRUE-STUD™**

**2F. Framing Members\* – Steel Studs** – As an alternate to Items 2 through 2E – For use with Item 1F, channel shaped studs, min 3-5/8 in. wide fabricated from min 25 MSG steel, spaced a max of 24 in. OC. Studs to be cut 1/2 in. less than assembly height.

**KIRII (HONG KONG) LTD** – Type KIRII

**2G. Framing Members\* – Steel Studs** – Not Shown – In lieu of Item 2 through 2F – For use with Item 1G. Proprietary channel shaped studs, minimum 3-5/8 in. wide, Studs to be cut 1/2 in. less than the assembly height.

**STUDCO BUILDING SYSTEMS** – CROCSTUD

**2H. Framing Members\* – Steel Studs** – Not Shown – In lieu of Item 2 – For use with Item 1I, proprietary channel shaped steel studs, 1-1/4 in. wide by min 3-5/8 in. deep fabricated from min 0.020 in. thick galv steel. Studs cut 3/4 in. less in length than assembly height.

**MARINO/WARE, DIV OF WARE INDUSTRIES INC** – Viper20™

**2I. Framing Members\* – Steel Studs** – In lieu of Item 2 – For use with Item 1, channel shaped studs, fabricated from min 25 MSG corrosion-protected steel, 3-5/8 in. deep (min), spaced 24 in. OC max. Studs to be cut 3/4 in. less than assembly height.

**EB METAL INC** – NITROSTUD

**2J. Framing Members\* – Steel Studs** – In lieu of Item 2 – For use with Item 1, channel shaped studs, fabricated from min 25 MSG corrosion-protected steel, 3-5/8 in. deep (min), spaced 24 in. OC max. Studs to be cut 3/4 in. less than assembly height.

**OLMAR SUPPLY INC** – PRIMESTUD

**2K. Framing Members\* – Steel Studs** – As an alternate to Item 2 – For use with Item 1B (3-5/8 in. wide track), channel shaped studs, fabricated from min 25 MSG corrosion-protected steel, 1-1/4 in. wide by 3-5/8 in. deep, spaced a max of 24 in. OC. Studs to be cut 3/8 to 3/4 in. less than assembly height.

**MARINO/WARE, DIV OF WARE INDUSTRIES INC** – StudRite™

**2L. Framing Members\* – Steel Studs** – As an alternate to Items 2 – For use with Item 1J, channel shaped studs, min 3-5/8 in. wide fabricated from min 0.018 in. thick galv steel, spaced a max of 24 in. OC. Studs to be cut 3/4 in. less than assembly height.

**RESCUE METAL FRAMING, L L C** – AlphaSTUD

**2M. Framing Members\* – Steel Studs** – Not Shown – In lieu of Item 2 – For use with Item 1K, proprietary channel shaped steel studs, min 1-1/4 in. wide by min 3-5/8 in. deep, fabricated from min 25 MSG (0.018 in. min. bare metal thickness). Studs cut 3/4 in. less in length than assembly height.

**CALIFORNIA EXPANDED METAL PRODUCTS CO** – Viper X

**2N. Framing Members\* – Steel Studs** – Not Shown – In lieu of Item 2 – For use with Item 1L, proprietary channel shaped steel studs, 1-1/4 in. wide by min 3-5/8 in. deep fabricated from min 0.020 in. thick galv steel. Studs cut 3/4 in. less in length than assembly height.

**CRACO MFG INC** – SmartStud20™

**3. Batts and Blankets\*** – (Optional) – Mineral wool or glass fiber batts partially or completely filling stud cavity.

See **Batts and Blankets** (BZJZ) category for names of Classified companies.

**ROCKWOOL** – Type AFB, min. density 1.69 pcf / 27.0 kg/m<sup>3</sup>

**ROCKWOOL MALAYSIA SDN BHD** – Type Acoustical Fire Batts

**3A. Fiber, Sprayed\*** – As an alternate to Batts and Blankets (Item 3) – (100% Borate Formulation) – Spray applied cellulose material. The fiber is applied with water to completely fill the enclosed cavity in accordance with the application instructions supplied with the product with a nominal dry density of 2.7 lb/ft<sup>3</sup>. Alternate Application Method: The fiber is applied without water or adhesive at a nominal dry density of 3.5 lb/ft<sup>3</sup>, in accordance with the application instructions supplied with the product.

**U S GREENFIBER L L C** – INS735, INS745, INS750LD for use with wet or dry application. INS765LD and INS773LD are to be used for dry application only

**3B. Fiber, Sprayed\*** — As an alternate to Batts and Blankets (Item 3) — Spray applied cellulose insulation material. The fiber is applied with water to interior surfaces in accordance with the application instructions supplied with the product. Applied to completely fill the enclosed cavity. Minimum dry density of 4.3 pounds per cubic ft.

**NU-WOOL CO INC** — Cellulose Insulation

**3C. Fiber, Sprayed\*** — As an alternate to Batts and Blankets (Item 3) — Spray applied cellulose fiber. The fiber is applied with water to completely fill the enclosed cavity in accordance with the application instructions supplied with the product. The minimum dry density shall be 4.30 lbs/ft<sup>3</sup>.

**INTERNATIONAL CELLULOSE CORP** — Celbar-RL

**3D. Batts and Blankets\*** — For use with Item 8. Nom 3 in. thick, minimum 3.4 pcf mineral wool batts, friction fit between the studs and floor and ceiling runners.

See **Batts and Blankets** (BZJZ) category for names of manufacturers.

**3E. Batts and Blankets\*** — For use with Item 4R and 4S. Placed in stud cavities, any min. 3-1/2 in. thick glass fiber insulation bearing the UL Classification Marking as to Surface Burning Characteristics and/or Fire Resistance.

See **Batts and Blankets** (BKNV or BZJZ) Categories for names of Classified companies.

**3F. Fiber, Sprayed\*** — As an alternate to Batts and Blankets (Item 3) — Spray-applied cellulose material. The fiber is applied with water to completely fill the enclosed cavity in accordance with the application instructions supplied with the product. To facilitate the installation of the material, any thin, woven or non-woven netting may be attached by any means possible to the outer face the studs. The material shall reach equilibrium moisture content before the installation of materials on either face of the studs. The minimum dry density shall be 5.79 lbs/ft<sup>3</sup>.

**APPLEGATE HOLDINGS L L C** — Applegate Advanced Stabilized Cellulose Insulation

**4. Gypsum Board\*** — 5/8 in. thick, 4 ft wide, attached to steel studs and floor and ceiling track with 1 in. long, Type S steel screws spaced 8 in. OC. along edges of board and 12 in. OC in the field of the board. Joints oriented vertically and staggered on opposite sides of the assembly. When Steel Framing Members\* (Item 6 or any alternate clips) are used, gypsum board is screw attached to furring channels with 1 in. long, Type S steel screws spaced 12 in. OC.

**AMERICAN GYPSUM CO** — Types AG-C, AGX-1, M-Glass, LightRoc

**BEIJING NEW BUILDING MATERIALS PUBLIC LTD CO** — Type DBX-1

**CABOT MANUFACTURING ULC** — Type X, 5/8 Type X, Type Blueglass Exterior Sheathing

**CGC INC** — Types AR, C, IP-AR, IP-X1, IP-X2, IPC-AR, SCX, SHX, ULIX, USGX, WRC or WRX (Joint tape and compound, Item 5, optional for use with Type USGX)

**CERTAINTED GYPSUM INC** — Types EGRG, GlasRoc, Type X, Type X-1, Type C, 5/8" Easi-Lite Type X, Easi-Lite Type X-2

**CERTAINTED GYPSUM INC** — Types LGFC2A, LGFC6A, LGFC-C/A, LGFC-WD, LGLLX

**GEORGIA-PACIFIC GYPSUM L L C** — Types 5, 6, 9, C, DAP, DD, DA, DAPC, DGG, DS, GPFS6, LS, Type X, Veneer Plaster Base - Type X, Water Rated - Type X, Sheathing - Type X, Soffit - Type X, TG-C, GreenGlass Type X, Type X ComfortGuard Sound Deadening Gypsum Board, Type LWX, Veneer Plaster Base-Type LWX, Water Rated-Type LWX, Sheathing Type-LWX, Soffit-Type LWX, Type DGLW, Water Rated-Type DGLW, Sheathing Type- DGLW, Soffit-Type DGLW, Type LW2X, Veneer Plaster Base - Type LW2X, Water Rated - Type LW2X, Sheathing - Type LW2X, Soffit - Type LW2X, Type DGL2W, Water Rated - Type DGL2W, Sheathing - Type DGL2W

**NATIONAL GYPSUM CO** — Types eXP-C, FSK, FSK-C, FSK-G, FSMR-C, FSW-C, FSW-G, FSW, FSW-3, FSW-5, FSW-6, FSW-8, FSL, RSX.

**NATIONAL GYPSUM CO** — Riyadh, Saudi Arabia — Type FR, or WR

**PABCO BUILDING PRODUCTS L L C, DBA PABCO GYPSUM** — Types PG-C, PG-9, PG-11, PGS-WRS, PGI

**PANEL REY S A** — Types GREX, GRIX, PRC, PRC2, PRX, RHX, MDX, ETX, PRX2

**SAINT-GOBAIN GYPROC MIDDLE EAST FZE** — Type Gyproc FireStop, Gyproc FireStop MR, Gyproc FireStop M2TECH, Gyproc FireStop ACTIV'Air, Gyproc FireStop MR ACTIV'Air, Gyproc FireStop M2TECH ACTIV'Air, Gyproc DuraLine, Gyproc DuraLine MR, Gyproc DuraLine M2TECH, Gyproc DuraLine ACTIV'Air, Gyproc DuraLine MR ACTIV'Air, Gyproc DuraLine M2TECH ACTIV'Air

**SIAM GYPSUM INDUSTRY (SARABURI) CO LTD** — Type EX-1

**THAI GYPSUM PRODUCTS PCL** — Type X, Type C

**UNITED STATES GYPSUM CO** — Type AR, C, FRX-G, IP-AR, IP-X1, IP-X2, IPC-AR, SCX, SHX, ULIX, USGX, WRC, WRX, (Joint tape and compound, Item 5, optional for use with Type USGX)

**USG BORAL DRYWALL SFZ LLC** — Types C, SCX, USGX (Joint tape and compound, Item 5, optional for use with Type USGX)

**USG MEXICO S A DE C V** — Type AR, C, IP-AR, IP-X1, IP-X2, IPC-AR, SCX, SHX, USGX, WRC or WRX (Joint tape and compound, Item 5, optional for use with Type USGX)

**4A. Gypsum Board\*** — (As alternate to Item 4) — Nom 5/8 in. thick gypsum panels with beveled, square or tapered edges, applied vertically or horizontally. Vertical joints centered over studs and staggered one stud cavity on opposite sides of studs. Horizontal edge joints and horizontal butt joints on opposite sides of studs need not be staggered or backed by steel framing. Panels attached to steel studs and floor runner with 1 in. long Type S steel screws spaced 8 in. OC when applied horizontally, or 8 in. OC along vertical and bottom edges and 12 in. OC in the field when panels are applied vertically. When used in widths other than 48 in., gypsum panels to be installed horizontally. When using ULIX, panels need not be staggered in horizontal applications and screw spacing can be increased to 12 in. OC in field and perimeter.

**CERTAINTED GYPSUM INC** — Type X, Type X-1, Type C, Type EGRG/ GlasRoc, GlasRoc-2, Type SilentFX, Easi-Lite Type X-2

**CGC INC** — Types AR, C, IP-AR, IP-X1, IP-X2, IPC-AR, SCX, SHX, ULIX, USGX, WRC or WRX (Joint tape and compound, Item 5, optional for use with Type USGX)

**CERTAINTED GYPSUM INC** — Types LGFC2A, LGFC6A, LGFC-C/A, LGFC-WD

**GEORGIA-PACIFIC GYPSUM L L C** — Types DAP, DAPC, DGG, DS

**SAINT-GOBAIN GYPROC MIDDLE EAST FZE** — Type Gyproc FireStop, Gyproc FireStop MR, Gyproc FireStop M2TECH, Gyproc FireStop ACTIV'Air, Gyproc FireStop MR ACTIV'Air, Gyproc FireStop M2TECH ACTIV'Air, Gyproc DuraLine, Gyproc DuraLine MR, Gyproc DuraLine M2TECH, Gyproc DuraLine ACTIV'Air, Gyproc DuraLine MR ACTIV'Air, Gyproc DuraLine M2TECH ACTIV'Air

**THAI GYPSUM PRODUCTS PCL** — Type X, Type C

**UNITED STATES GYPSUM CO** — Types AR, C, FRX-G, IP-AR, IP-X1, IP-X2, IPC-AR, SCX, SHX, ULIX, USGX, WRC, WRX (Joint tape and compound, Item 5, optional for use with Type USGX)

**USG BORAL DRYWALL SFZ LLC** — Types C, SCX, USGX (Joint tape and compound, Item 5, optional for use with Type USGX)

**USG MEXICO S A DE C V** — Type AR, C, IP-AR, IP-X1, IP-X2, IPC-AR, SCX, SHX, USGX, WRC or WRX (Joint tape and compound, Item 5, optional for use with Type USGX)

**4B. Gypsum Board\*** — (As an alternate to Items 4 or 4A) — Nom 3/4 in. thick, 4 ft wide, installed as described in Item 4A with screw length increased to 1-1/4 in.

**CGC INC** — Types AR, IP-AR

**UNITED STATES GYPSUM CO** — Types AR, IP-AR

**USG MEXICO S A DE C V** — Types AR, IP-AR

**4C. Gypsum Board\*** — As an alternate to Items 4, 4A, and 4B — Nom. 5/8 in. thick gypsum panels, with square edges, applied horizontally. Gypsum panels fastened to framing with 1 in. long bugle head steel screws spaced a max 8 in. OC, with last 2 screws 3/4 in. and 4 in. from each edge of board. Horizontal joints need not be backed by steel framing. Horizontal edge joints and horizontal butt joints on opposite sides of studs on interior walls need not be staggered or backed by steel framing.

**GEORGIA-PACIFIC GYPSUM L L C** — Type DGG, GreenGlass Type X

**4D. Gypsum Board\*** — As an alternate to Items 4, 4A, 4B, and 4C — Nom. 5/8 in. thick gypsum panels applied vertically or horizontally. Vertical joints centered over studs and staggered one stud cavity on opposite sides of studs. Horizontal edge joints and horizontal butt joints on opposite sides of studs need not be staggered or backed by steel framing. Gypsum panels fastened to framing with 1 in. long Type S steel screws 12 in. OC along vertical edges and in the field. Screws spaced a max 12 in. along the top and bottom edges of the wall for both vertical and horizontal applications. When used in widths other than 48 in., gypsum panels to be installed horizontally.

**NATIONAL GYPSUM CO** — Types eXP-C, FSK, FSK-C, FSK-G, FSL, FSW-C, FSW-G, FSW, FSW-3, FSW-5, FSW-6, FSMR-C

**4E. Gypsum Board\*** — (As an alternate to Items 4 through 4D) — Installed as described in Item 4. 5/8 in. thick, 4 ft. wide, applied vertically only and fastened to the studs and plates with 1 in. long, Type S steel screws spaced, 12 in. OC.

**NATIONAL GYPSUM CO** — Type SBWB

**4F. Gypsum Board\*** — (Not Shown) — (As an alternate to Item 4 when used as the base layer on one or both sides of wall. For direct attachment only to steel studs Item 2C) - Nom 5/8 in. thick lead backed gypsum panels with beveled, square or tapered edges, applied vertically. Vertical joints centered over studs and staggered min 1 stud cavity on opposite sides of studs. Gypsum board secured to studs with 1-1/4 in. long Type S-12 steel screws spaced 8 in. OC at perimeter and 12 in. OC in the field.

**RAY-BAR ENGINEERING CORP** — Type RB-LBG

**4G. Gypsum Board\*** — (As an alternate to Items 4 through 4F) — For use with Items 1D and 2D only, 5/8 in. thick, 4 ft wide, attached to steel studs and floor and ceiling track with 1 in. long, Type S steel screws spaced 8 in. OC. along edges of board and 12 in. OC in the field of the board. Joints oriented vertically and staggered on opposite sides of the assembly. When using ULIX, panels need not be staggered in horizontal applications and screw spacing can be increased to 12 in. OC in field and perimeter.

**CGC INC** — Type SCX, ULIX

**CERTAINTED GYPSUM INC** — Type LGFC6A, LGFC-C/A

**NATIONAL GYPSUM CO** — Types FSW

**UNITED STATES GYPSUM CO** — Type SCX, ULIX

**USG BORAL DRYWALL SFZ LLC** — Type SCX

**4H. Gypsum Board\*** — (As an alternate to Items 4 through 4G) — Nominal 5/8 in. thick, 4 ft wide panels, applied vertically and secured as described in Item 4.

**PABCO BUILDING PRODUCTS L L C, DBA PABCO GYPSUM** — Type QuietRock ES



4I. **Gypsum Board\*** — (As an alternate to Items 4 through 4F) — 5/8 in. thick, 4 ft wide, attached to steel studs and floor and ceiling track with 1 in. long, Type S steel screws spaced 8 in. OC. along edges of board and 12 in. OC in the field of the board. Joints oriented vertically and staggered on opposite sides of the assembly. When using ULIX, panels need not be staggered in horizontal applications and screw spacing can be increased to 12 in. OC in field and perimeter. When using ULIX, panels need not be staggered in horizontal applications and screw spacing can be increased to 12 in. OC in field and perimeter.

**CGC INC** — Types SCX, ULIX

**UNITED STATES GYPSUM CO** — Types SCX, ULIX

**USG BORAL DRYWALL SFZ LLC** — Type SCX

4J. **Gypsum Board\*** — (Not Shown) — (As an alternate to Item 4 when used as the base layer on one or both sides of wall. For direct attachment only to steel studs Item 2C) — Nom 5/8 in. thick lead backed gypsum panels with beveled, square or tapered edges, applied vertically. Vertical joints centered over studs and staggered min 1 stud cavity on opposite sides of studs. Gypsum board secured to studs with 1-1/4 in. long Type S-12 steel screws spaced 8 in. OC at perimeter and 12 in. OC in the field. To be used with Lead Batten Strips (see Item 9A) or Lead Discs (see Item 10A).

**MAYCO INDUSTRIES INC** — Type X-Ray Shielded Gypsum

4K. **Gypsum Board\*** — (As an alternate to Item 4 and 4A, not for use with Items 1D, 1E, 2D and 2E) — Nom. 5/8 in. thick gypsum panels with beveled, square or tapered edges installed as described in Item 4 and 4A.

**CGC INC** — Type ULX

**UNITED STATES GYPSUM CO** — Type ULX

**USG MEXICO S A DE C V** — Type ULX

4L. **Gypsum Board\*** — (Not Shown) — (As an alternate to Item 4 when used as the base layer on one or both sides of wall. For direct attachment only to steel studs Item 2C). Nom 5/8 in. thick lead backed gypsum panels with beveled, square or tapered edges, applied vertically. Vertical joints centered over studs and staggered min 1 stud cavity on opposite sides of studs. Wallboard secured to studs with 1-1/4 in. long Type S-12 steel screws gypsum panel steel screws spaced 8 in. OC at perimeter and 12 in. OC in the field. Lead batten strips required behind vertical joints of lead backed gypsum wallboard and optional at remaining stud locations. Lead batten strips, min 2 in. wide, max 8 ft long with a max thickness of 0.14 in. placed on the face of studs and attached to the stud with construction adhesive and two 1 in. long Type S-12 pan head steel screws, one at the top of the strip and one at the bottom of the strip. Lead discs, nominal 3/8 in. diam by max 0.085 in. thick. Compression fitted or adhered over the screw heads. Lead batten strips and discs to have a purity of 99.9% meeting the Federal specification QQ-L-201f, Grade "C".

**RADIATION PROTECTION PRODUCTS INC** — Type RPP - Lead Lined Drywall

4M. **Gypsum Board\*** — (For use with Item 8) — 5/8 in. thick, 4 ft wide, applied vertically over Mineral and Fiber Board (Item 8) with vertical joints located anywhere over stud cavities. Secured to mineral and fiber boards with 1-1/2 in. Type G Screws spaced 8 in. OC along edges of each vertical joint and 12 in. OC in intermediate field of the Mineral and Fiber Board (Item 8). Secured to outermost studs and floor and ceiling runners with 2 in. long Type S screws spaced 8 in. OC. Gypsum Board joints covered with paper tape and joint compound. Screw heads covered with joint compound.

**AMERICAN GYPSUM CO** — Type AG-C

**CERTAINTED GYPSUM INC** — Type C

**CGC INC** — Types C, IP-X2, IPC-AR

**CERTAINTED GYPSUM INC** — Type LGFC-C/A

**GEORGIA-PACIFIC GYPSUM L L C** — Types 5, DAPC, TG-C

**NATIONAL GYPSUM CO** — Types eXP-C, FSK-C, FSW-C

**PABCO BUILDING PRODUCTS L L C, DBA PABCO GYPSUM** — Type PG-C

**PANEL REY S A** — Types PRC, PRC2

**SAINT-GOBAIN GYPROC MIDDLE EAST FZE** — Type Gyproc FireStop, Gyproc FireStop MR, Gyproc FireStop M2TECH, Gyproc FireStop ACTIV'Air, Gyproc FireStop MR ACTIV'Air, Gyproc FireStop M2TECH ACTIV'Air, Gyproc DuraLine, Gyproc DuraLine MR, Gyproc DuraLine M2TECH, Gyproc DuraLine ACTIV'Air, Gyproc DuraLine MR ACTIV'Air, Gyproc DuraLine M2TECH ACTIV'Air

**THAI GYPSUM PRODUCTS PCL** — Type C

**UNITED STATES GYPSUM CO** — Types C, IP-X2, IPC-AR, ULIX

**USG BORAL DRYWALL SFZ LLC** — Type C

**USG MEXICO S A DE C V** — Types C, IP-X2, IPC-AR

**4N. Wall and Partition Facings and Accessories\*** — (As an alternate to Item 4) — Nominal 5/8 in. thick, 4 ft wide panels, applied vertically and secured as described in Item 4.

**PABCO BUILDING PRODUCTS L L C, DBA PABCO GYPSUM** — Type QuietRock 527

**4O. Gypsum Board\*** — As an alternate to Items 4, 4A, 4B, and 4C — Two layers Nom. 5/16 in. thick gypsum panels applied vertically or horizontally. Horizontal edge joints and horizontal butt joints on opposite sides of studs need not be staggered or backed by steel framing. Horizontal joints on the same side need not be staggered. When applied horizontally, both layers of gypsum board fastened to each side of framing with 1 in. long Type S steel screws spaced 8 in. OC and staggered 4 in. OC between layers. When applied vertically, both layers of gypsum board fastened to each side of framing with 1 in. long Type S steel screws spaced 8 in. OC along vertical edges and 12 in. OC in the field, staggered 4 in. OC between layers. Screws spaced a max 12 in. along the top and bottom edges of the wall.

**NATIONAL GYPSUM CO** — Type FSW

**4P. Gypsum Board\*** — As an alternate to Item 4. Nom 5/8 in. thick, 4 ft wide, Nom 5/8 in. thick gypsum panels with beveled, square or tapered edges, applied vertically or horizontally. Vertical joints centered over studs and staggered one stud cavity on opposite sides of studs. Horizontal edge joints and horizontal butt joints on opposite sides of studs need not be staggered or backed by steel framing. Panels attached to steel studs and runners with 1 in. long Type S steel screws spaced 12 in. OC when applied horizontally or vertically. When used in widths other than 48 in., gypsum panels to be installed horizontally.

**CGC INC** — Type ULIX

**UNITED STATES GYPSUM CO** — Types ULIX

**4Q. Gypsum Board\*** — 3/4 in. thick, 4 ft wide, attached to steel studs and floor and ceiling track as described in Item 4 with screw length increased to min. 1- 1/8 in.

**PABCO BUILDING PRODUCTS L L C, DBA PABCO GYPSUM** — Type PG-13

**4R. Gypsum Board\*** — As an alternate to Item 4D. For use with Item 3E, **Batts and Blankets\*** — 5/8 in. thick, 4 ft wide, installed as described in Item 4.

**NATIONAL GYPSUM CO** — Type FSLX.

**4S. Gypsum Board\*** — As an alternate to Item 4. For use with Item 3E, **Batts and Blankets\*** — 5/8 in. thick, 4 ft wide, installed as described in Item 4A.

**CERTAINTED GYPSUM INC** — Type CLLX.

**4T. Wall and Partition Facings and Accessories\*** — (As an alternate to 5/8 in. thick board as outlined in Item 4) — Nominal 1-3/8 in. thick, 4 ft wide panels, applied vertically or horizontally. Fastened with #6 x 2 in. long drywall screws spaced 8 in. OC along the perimeter and 12 in. OC in the field.

**PABCO BUILDING PRODUCTS L L C, DBA PABCO GYPSUM** — Type QuietRock 545

**5. Joint Tape and Compound** — Vinyl, dry or premixed joint compound, applied in two coats to joints and screw heads; paper tape, 2 in. wide, embedded in first layer of compound over all joints. As an alternate, nominal 3/32 in. thick gypsum veneer plaster may be applied to the entire surface of Classified veneer baseboard. Joints reinforced. Paper tape and joint compound may be omitted when gypsum boards are supplied with square edges.

**6. Resilient Channel** — (Optional — Not Shown) — 25 MSG galv steel resilient channels spaced vertically max 24 in. OC, flange portion attached to each intersecting stud with 1/2 in. long type S-12 pan head steel screws. May not be used with Item 4F, 4J or 4L.

**6A. Steel Framing Members\*** — (Optional, Not Shown, As an alternate to Item 6) — Furring channels and Steel Framing Members as described below:

**a. Furring Channels** — Formed of No. 25 MSG galv steel. 2-9/16 in. or 2-23/32 in. wide by 7/8 in. deep, spaced 24 in. OC perpendicular to studs. Channels secured to studs as described in Item b. Ends of adjoining channels are overlapped 6 in. and tied together with double strand of No. 18 SWG galv steel wire near each end of overlap. As an alternate, ends of adjoining channels may be overlapped 6 in. and secured together with two self-tapping No. 6 framing screws, min 7/16 in. long at the midpoint of the overlap, with one screw on each flange of the channel. Not for use with Items 4F, 4J, or 4L.

**b. Framing Members\*** — Used to attach furring channels (Item a) to studs (Item 2). Clips spaced 48 in. OC., and secured to studs with 1-5/8 in. wafer or hex head Type S steel screw through the center grommet. Furring channels are friction fitted into clips. RSIC-1 clip for use with 2-9/16 in. wide furring channels. RSIC-1 (2.75) clip for use with 2-23/32 in. wide furring channels.

**PAC INTERNATIONAL L L C** — Types RSIC-1, RSIC-1 (2.75)

**6B. Framing Members\*** — (Optional on one or both sides, Not Shown, As an alternate to Item 6) — Furring channel and Steel Framing Members as described below:

**a. Furring Channels** — Formed of No. 25 MSG galv steel. 2-3/8 in. wide by 7/8 in. deep, spaced max. 24 in. OC perpendicular to studs. Channels secured to studs as described in Item b. Gypsum board attached to furring channels as described in Item 4. Not for use with Items 4F, 4J, or 4L.

**b. Steel Framing Members\*** — Used to attach furring channels (Item 6Ba) to studs (Item 2). Clips spaced max. 48 in. OC. GENIECLIPS secured to studs with No. 8 x 1-1/2 in. minimum self-drilling, S-12 steel screw through the center grommet. Furring channels are friction fitted into clips.

**PLITEQ INC** — Type Genie Clip

**6C. Steel Framing Members\*** — (Optional, Not Shown, As an alternate to Item 6) — Furring channels and Steel Framing Members as described below:

**a. Furring Channels** — Formed of No. 25 MSG galv steel. Spaced 24 in. OC perpendicular to studs. Channels secured to studs as described in Item b. Ends of adjoining channels overlapped 6 in. and tied together with double strand of No. 18 AWG galvanized steel wire. Gypsum board attached to furring channels as described in Item 4. Not for use with Items 4F, 4J, or 4L.

**b. Steel Framing Members\*** — Used to attach furring channels (Item 6Ca) to studs. Clips spaced 48 in. OC., and secured to studs with 2 in. coarse drywall screw with 1 in. diam washer through the center hole. Furring channels are friction fitted into clips.

**STUDCO BUILDING SYSTEMS** — RESILMOUNT Sound Isolation Clips - Type A237R

**6D. Steel Framing Members\*** — (Optional, Not Shown As an alternate to Item 6) — Furring channels and Steel Framing Members as described below:

**a. Furring Channels** — Formed of No. 25 MSG galv steel. Spaced 24 in. OC perpendicular to studs. Channels secured to studs as described in Item 6Db. Ends of adjoining channels overlapped 6 in. and tied together with double strand of No. 18 AWG galvanized steel wire. Gypsum board attached to furring channels as described in Item 4. Not for use with Items 4F, 4J, or 4L.

**b. Steel Framing Members\*** — Used to attach furring channels (Item 6Da) to studs. Clips spaced 48 in. OC, and secured to studs with No.8 x 2-1/2 in. coarse drywall screw through the center hole. Furring channels are friction fitted into clips.

**REGUPOL AMERICA** — Type SonusClip

**6E. Steel Framing Members\*** — (Optional, Not Shown As an alternate to Item 6) — Resilient channels and Steel Framing Members as described below:

a. **Resilient Channels** — Formed of No. 25 MSG galv steel, spaced 24 in. OC, and perpendicular to studs. Channels secured to studs as described in Item b. Ends of adjoining channels overlapped 6 in. and secured in place with two No. 8 15 x 1/2 in. Phillips Modified Truss screws spaced 2-1/2 in. from the center of the overlap. Gypsum board attached to resilient channels as described in Item 4. Not for use with Items 4F, 4J, or 4L.

b. **Steel Framing Members\*** — Used to attach resilient channels (Item 6Ea) to studs. Clips spaced 48 in. OC., and secured to studs with No. 8 x 2-1/2 in. coarse drywall screw through the center hole. Resilient channels are secured to clips with one No. 10 x 1/2 in. pan-head self-drilling screw.

**KEENE BUILDING PRODUCTS CO INC** — Type RC+ Assurance Clip

**6F Steel Framing Members\*** — (Optional, Not Shown, As an alternate to Item 6) — Furring channels and Steel Framing Members as described below:

a **Furring Channels** — Formed of No. 25 MSG galv steel. 2-23/32 in. wide by 7/8 in. or 1-1/2 in. deep, spaced 24 in. OC perpendicular to studs. Channels secured to studs as described in Item b. Ends of adjoining channels are overlapped 6 in. and tied together with double strand of No. 18 SWG galv steel wire near each end of overlap. As an alternate, ends of adjoining channels may be overlapped 6 in. and secured together with two self-tapping #6 framing screws, min. 7/16 in. long at the midpoint of the overlap, with one screw on each flange of the channel. Gypsum board attached to furring channels as described in Item 4.

b **Steel Framing Members\*** — Used to attach furring channels (Item 6Fa) to studs. Clips spaced maximum 48 in. OC. Clips secured to studs with No. 8 x 2-1/2 in. coarse drywall screw through the center grommet. Furring channels are friction fitted into clips.

**CLARKDIETRICH BUILDING SYSTEMS** — Type ClarkDietrich Sound Clip

**6F. Steel Framing Members\*** — (Optional, Not Shown) — Furring channels and Steel Framing Members as described below:

a. **Furring Channels** — Formed of No. 25 MSG galv steel. Spaced 24 in. OC perpendicular to studs. Channels secured to studs as described in Item b. Ends of adjoining channels overlapped 6 in. and tied together with double strand of No. 18 AWG galvanized steel wire. Gypsum board attached to furring channels as described in Item 4. Not for use with Items 4F, 4J, or 4L.

b. **Steel Framing Members\*** — Used to attach furring channels (Item 6Fa) to studs. Clips spaced 48 in. OC., and secured to studs with No. 10 x 2 in. screw through the center hole. Furring channels are friction fit into clips.

**MASON INDUSTRIES INC** — Type CWC-50

**7. Wall and Partition Facings and Accessories\*** — (Optional, Not Shown) — Nominal 1/2 in. thick, 4 ft wide panels, for optional use as an additional layer on one or both sides of the assembly. Panels attached in accordance with manufacturer's recommendations. When the QR-500 or QR-510 panel is installed between the steel framing and the UL Classified gypsum board, the required UL Classified gypsum board layer(s) is/are to be installed as indicated as to fastener type and spacing, except that the required fastener length shall be increased by a minimum of 1/2 in. Not evaluated or intended as a substitute for the required layer(s) of UL Classified Gypsum Board.

**PABCO BUILDING PRODUCTS L L C, DBA PABCO GYPSUM** — Type QuietRock QR-500 and QR-510

**8. Mineral and Fiber Board\*** — (Optional, Not Shown) — For optional use as an additional layer on one side of wall. Nom 1/2 in. thick, 4 ft wide with long dimension parallel and centered over studs. Attached to studs and floor and ceiling runners with 1-5/8 in. long Type S steel screws, spaced 12 in. OC and 24 in. OC along all intermediate framing. The required UL Classified gypsum board layer (Item 4M) is to be installed over the Mineral and Fiber Boards. Batts and Blankets, Item 3D, and Adhesive, Item 11, are required.

**HOMASOTE CO** — Homasote Type 440-32

**8A. Mineral and Fiber Board** — (Optional, Not Shown) — For optional use as an additional layer on one side of wall - Nom 1/2 in. thick, 4 ft wide, square edge fiber boards applied vertically to studs on one side of the wall in between the wood studs and the UL Classified Gypsum Board (Item 4). Fiber boards installed with 1-1/4 in. long, Type S steel screws spaced 12 in. OC max, with the last screws spaced 2 in. and 6 in. from edge of board. Gypsum board (Item 4) installed as indicated as to fastener type and spacing,

except that the required fastener length shall be increased by a minimum of 1/2 in. Not evaluated or intended as a substitute for the required layer(s) of UL Classified Gypsum Board. Not evaluated for use with Item 4M.

**BLUE RIDGE FIBERBOARD INC** — SoundStop

**8B. Mineral and Fiber Board\*** — (Optional, Not Shown) — For optional use as an additional layer on one side of wall. Nom 1/2 in. thick, 4 ft wide with long dimension parallel and centered over studs. Attached to studs and floor and ceiling runners with 1-5/8 in. long Type S steel screws, spaced 12 in. OC and 24 in. OC along all intermediate framing. The required UL Classified gypsum board layer is to be installed over the Mineral and Fiber Boards and secured to studs with length of fasteners increased by 1/2 in. over the length specified for installation of the gypsum boards. Batts and Blankets, Item 3, are optional unless otherwise required. Not for use with Items 4F, 4J, 4L, and 4M.

**HOMASOTE CO** — Homasote Type 440-32

**9. Lead Batten Strips** — (Not Shown, For Use With Item 4E) — Lead batten strips, min 1-1/2 in. wide, max 10 ft long with a max thickness of 0.125 in. Strips placed on the interior face of studs and attached from the exterior face of the stud with two 1 in. long Type S-12 pan head steel screws, one at the top of the strip and one at the bottom of the strip. Lead batten strips to have a purity of 99.9% meeting the Federal specification QQ-L-201f, Grade "C". Lead batten strips required behind vertical joints of lead backed gypsum board (Item 4E) and optional at remaining stud locations. Required behind vertical joints.

**9A. Lead Batten Strips** — (Not Shown, for use with Item 4J) — Lead batten strips, 2 in. wide, max 10 ft long with a max thickness of 0.140 in. Strips placed on the face of studs and attached to the stud with two min. 1 in. long min. Type S-8 pan head steel screws, one at the top of the strip and one at the bottom of the strip or with one min. 1 in. long min. Type S-8 pan head steel screw at the top of the strip. Lead batten strips to have a purity of 99.5% meeting the Federal specification QQ-L-201f, Grades "B, C or D". Lead batten strips required behind vertical joints of lead backed gypsum wallboard (Item 4J) and optional at remaining stud locations.

**10. Lead Discs or Tabs** — (Not Shown, For Use With Item 4E) — Used in lieu of or in addition to the lead batten strips (Item 8) or optional at other locations - Max 3/4 in. diam by max 0.125 in. thick lead discs compression fitted or adhered over steel screw heads or max 1/2 in. by 1-1/4 in. by max 0.125 in. thick lead tabs placed on gypsum boards (Item 4E) underneath screw locations prior to the installation of the screws. Lead discs or tabs to have a purity of 99.9% meeting the Federal specification QQ-L-201f, Grade "C".

**10A. Lead Discs** — (Not Shown, for use with Item 4J) — Max 5/16 in. diam by max 0.140 in. thick lead discs compression fitted or adhered over steel screw heads. Lead discs to have a purity of 99.5% meeting the Federal Specification QQ-L-201f, Grades "B, C or D".

**11. Adhesive** — Not Shown — (For use with Item 8) — Construction grade adhesive applied in vertical, serpentine, nominal 3/8 in. wide beads down the length of both vertical edges of Mineral and Fiber Board (Item 8).

**12. Wall and Partition Facings and Accessories\*** — (CLBV) (Optional, Not Shown) — For use with Items 1 to 11, Items 2 to 2J, Item 3, Items 4 to 4I, Item 5 and Item 6. For maximum fire rating of 1 hour. On one side of the wall, over the first layer of Gypsum Board (Item 4 to Item 4I), install RefleXor membrane with the gold side facing outwards. Membrane installed with T50 staples spaced 12 inches on center in both directions as per manufacturer's instructions, seams in membrane to be overlapped by 2 inches. When RefleXor membrane is used an additional layer of Gypsum Board that is identical to the one used in the first layer and as specified in Item 4 to Item 4I shall be installed over the membrane. The additional layer of Gypsum Board to be installed through the membrane to the stud as specified in Item 4 to Item 4I except the fastener length shall be increased by a minimum of 5/8 inch. Install Batts and Blankets in the stud cavity as per Item 3.

On the other side of the wall, prior to the installation of the Gypsum Board, install Resilient Channels as per Item 6. Over the Resilient Channels install 3/4 inch thick SONOpan panel secured to the Resilient Channels with min. 1-1/4 in. long drywall screws and washers spaced at 16 in. OC on the perimeter of the panel and 8 in. OC in the field of the panel. Over the SONOpan panel install the same Gypsum Board as specified in Item 4 to Item 4I with the fastener length increased by minimum 3/4 inch. Not evaluated or intended as a substitute for the required layer(s) of UL Classified Gypsum Board.

Alternately, on the other side of the wall prior to the installation of the Gypsum Board, install 3/4 in. thick SONOpan panels, secured to one side of studs either horizontally or vertically. Panels secured to each stud with min. 1-1/4 in. long drywall screws spaced 12 in. OC. Over the SONOpan, install 25 MSG galv steel, Resilient Channels, spaced vertically 24 in. OC. Resilient Channels fastened through panels to each stud with min. 2 in. long drywall screws or self-tapping screws. Over the Resilient Channels install Gypsum Board as specified in Item 4 to Item 4I with the specified drywall screws. Panels not evaluated or intended as a substitute for the required layer(s) of UL Classified Gypsum Board.

**MSL** — RefleXor membrane, SONOpan panel

13. **Barrier Mesh** — (Optional, Not Shown) - Attached to steel studs on one or both sides of the wall using Barrier Mesh Clips spaced at maximum 12 inches on center vertically, using a flat head type screw penetrating through the steel at least 3/8 of an inch. For Steel Studs less than 0.033 inches in thickness, use self-piercing screws. For Steel Studs equal to or greater than 0.033 inches in thickness, use steel drill screws (self-tapping). Gypsum Board (Item 4) to be installed directly over the Barrier Mesh using prescribed screw patterns with lengths increased by a minimum 1/8 in. Barrier Mesh may be installed with the long dimension of the diamond pattern positioned vertically or horizontally. Barrier Mesh joints may occur as butt joints at the framing members and secured using the Barrier Mesh Clips or occur in between framing members as overlapping joints secured using 18 SWG wire ties spaced a maximum 12 in. on center.

**CLARKDIETRICH BUILDING SYSTEMS** — Barrier Mesh, Barrier Mesh Clips

**\* Indicates such products shall bear the UL or cUL Certification Mark for jurisdictions employing the UL or cUL Certification (such as Canada), respectively.**

Last Updated on 2021-10-06

---

La presencia del nombre de una empresa o producto en esta base de datos no garantiza por sí misma que los productos así identificados hayan sido fabricados bajo el servicio de seguimiento de UL. Solo aquellos productos que lleven la marca UL deben considerarse como certificados y garantizados bajo el servicio de seguimiento de UL. Busque siempre la marca en el producto.

UL permite la reproducción del material contenido en el directorio de certificación en línea sujeta a las siguientes condiciones: 1. La información de la guía, las ensamblajes, las construcciones, los diseños, los sistemas y/o certificaciones (archivos) deben presentarse en su totalidad y de forma no engañosa, sin ninguna manipulación en los datos (o dibujos). 2. Debe aparecer la declaración "Reimpreso desde el directorio de certificaciones en línea con permiso de UL" junto al material extraído. Además, el material reimpreso debe incluir una nota de derechos de autor en el siguiente formato: "© 2021 UL LLC"