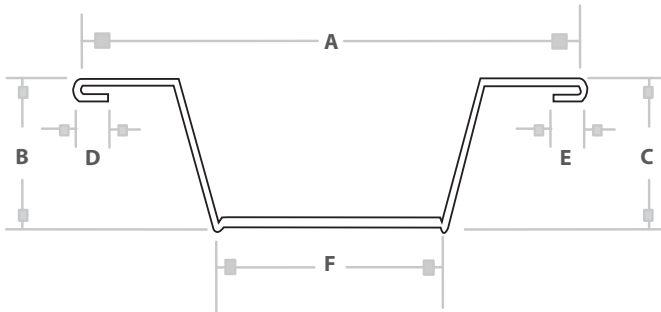


# Ribbon Channel

Ribbon channel is a piece designed to be screw-fix the plaster panel that will form the overhanging ceiling, the shutter box and the border plate. Its geometry allows it to be fitted below the load channel. The ribbon channel can also be used to cover masonry or concrete walls with wainscot-type plaster panels.

Dimensions (in)

Caliber	Flank B	Width C	Tab D
26	≥ 0.750	≥ 1.200	



For more information contact us:

Customer Service USA  
1 800 862 9022

Phone  
+52 (81) 8345-0055

E-mail  
contact.us@gpromax.com

Web Site  
www.panelrey.com